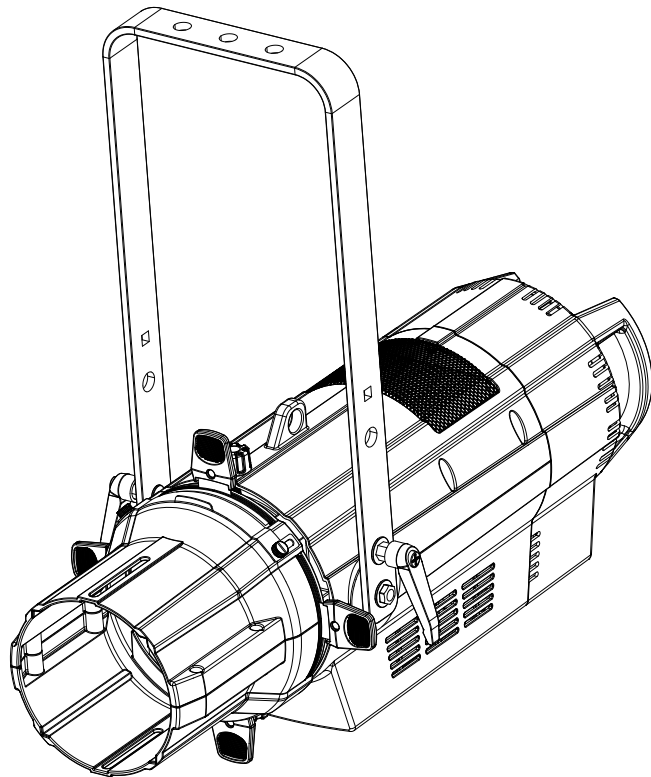


EK

SHOWPRO

LED PROFILE SPOT - VARIABLE WHITE

LEDPRO132



USER MANUAL

EN




WARNING! Before carrying out any operations with the unit, carefully read this instruction manual and keep it with care for future reference. It contains important information about the installation, usage and maintenance of the unit.



SAFETY

General instruction

- The products referred to in this manual conform to the European Community Directives and are therefore marked with **CE**.
- The unit is supplied with hazardous network voltage (230V~). Leave servicing to skilled personnel only. Never make any modifications on the unit not described in this instruction manual, otherwise you will risk an electric shock.
- Connection must be made to a power supply system fitted with efficient earthing (Class I appliance according to standard EN 60598-1). It is, moreover, recommended to protect the supply lines of the units from indirect contact and/or shorting to earth by using appropriately sized residual current devices.
- The connection to the main network of electric distribution must be carried out by a qualified electrical installer. Check that the main frequency and voltage correspond to those for which the unit is designed as given on the electrical data label.
- This unit is not for home use, only professional applications.
- Never use the fixture under the following conditions:
 - in places subject to vibrations or bumps;
 - in places with a temperature of over 40 °C.
- Make certain that no inflammable liquids, water or metal objects enter the fixture.
- Do not dismantle or modify the fixture.
- All work must always be carried out by qualified technical personnel. Contact the nearest sales point for an inspection or contact the manufacturer directly.
- If the unit is to be put out of operation definitively, take it to a local recycling plant for a disposal which is not harmful to the environment. 

Warnings and installation precautions

- If this device will be operated in any way different to the one described in this manual, it may suffer damage and the guarantee becomes void. Furthermore, any other operation may lead to dangers like short circuit, burns, electric shock, etc.
- Before starting any maintenance work or cleaning the projector, cut off power from the main supply.
- Always additionally secure the projector with the safety rope. When carrying out any work, always comply scrupulously with all the regulations (particularly regarding safety) currently in force in the country in which the fixture's being used.
- Install the fixture in a well ventilated place.
- Keep any inflammable material at a safe distance from the fixture.
- Shields, lenses or ultraviolet screens shall be changed if they have become damaged to such an extent that their effectiveness is impaired.
- The lamp (LED) shall be changed if it has become damaged or thermally deformed.
- Never look directly at the light beam. Please note that fast changes in lighting, e. g. flashing light, may trigger epileptic seizures in photosensitive persons or persons with epilepsy.
- Do not touch the product's housing when operating because it may be very hot.

TABLE OF CONTENTS

Safety

General instructions
Warnings and installation precautions
General information

Introduction

Features
Specifications

Maintenance

Cleaning the unit
Fuse replacement
Trouble shooting

Overview

Dimensions

Operation

Display menu functions
DMX functions
DMX pin diagram

Menu Function Chart

DMX Function Chart

Photometrics

Packing content

EPROFILE VW

- Mounting bracket
- Power cord
- Warranty card
- User manual

INTRODUCTION

The EPROFILE VW is a variable white LED profile.

FEATURES

- 250W LED with exquisite color rendering (up to CRI 92)
- Innovative six-color mixable LED light source
- Variable white color temp presets from 2800K ~ 8000K
- Adjustable +/- green hue fine tuning
- Independent control of discrete source colors (red, orange, green, royal blue, blue, lime)
- Higher output than traditional 750W ellipsoidal reflector spotlights
- Flawless dimming with consistent color temperature throughout the dimming curve
- Flicker-free output with selectable PWM frequencies for worry-free video
- Crisp gobo image projection, even at close range
- Extremely flat field projection
- Quiet operation suitable for studio use (two selectable fan modes)
- Power linking (PowerCon In/Out)
- Rugged die-cast body and low-maintenance design
- Master/Slave mode, Auto Shows
- Manual control via onboard menu
- 16-bit dimming with selection of four dimming curves
- DMX control
- Available fixed lens tubes: 14° - 19° - 26° - 36° - 50° (not included)
- Available zoom lens tubes: 15°-30° or 25°-50° (not included)

SPECIFICATIONS

Light Source:	250W COB 2800K ~ 8000K (up to CRI 92)
Beam Angle:	14° - 19° - 26° - 36° - 50°
Output:	1695 LUX @ 5 meters @ 26°
Color Temps:	2800K ~ 8000K
Focus:	Manual
Strobe:	0-30 Hz
Dimming:	4 dimming curve modes
Control:	DMX
DMX Channels:	3 / 5 / 6 / 8 / 11 / 15 / 17
Built-in Programs:	Yes
Display:	OLED function menu with 4 touch buttons
Mains:	100V-240V, 50/60 Hz
Consumption:	252W
Power connections:	PowerCon In/Out
Data connections:	3- or 5-pin XLR In/Out for DMX
Housing:	Diecast aluminium
Finish:	Matte black or white
IP rating:	IP20
Cooling:	Active (variable speed fan)
Operating temperature:	-20°C to 40°C
Max. Housing:	60°C
Dimensions:	596 x 287 x 551 mm
Weight:	7.8 KG

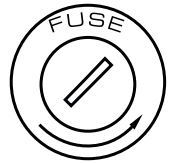
MAINTENANCE

MAINTENANCE AND CLEANING THE UNIT

- Make sure the area below the installation place is free from unwanted persons during setup.
- Switch off the unit, unplug the main cable and wait until the unit has cooled down.
- All screws used for installing the device and any of its parts should be tightly fastened and should not be corroded.
- Housings, fixations and installation spots (ceiling, trusses, suspensions) should be totally free from any deformation.
- The main cables must be in impeccable condition and should be replaced immediately even when a small problem is detected.
- It is recommended to clean the front at regular intervals, from impurities caused by dust, smoke, or other particles to ensure that the light is radiated at maximum brightness. For cleaning, disconnect the main plug from the socket. Use a soft, clean cloth moistened with a mild detergent. Then carefully wipe the part dry. For cleaning other housing parts use only a soft, clean cloth. Never use a liquid, it might penetrate the unit and cause damage to it.

FUSE REPLACEMENT

1. Disconnect this product from the power outlet.
2. Using a screwdriver, unscrew the fuse holder cap from the housing.
3. Remove the blown fuse and replace with a good fuse of the same type and rating (250V/T3.15A).
4. Screw the fuse holder cap back in place and reconnect power.

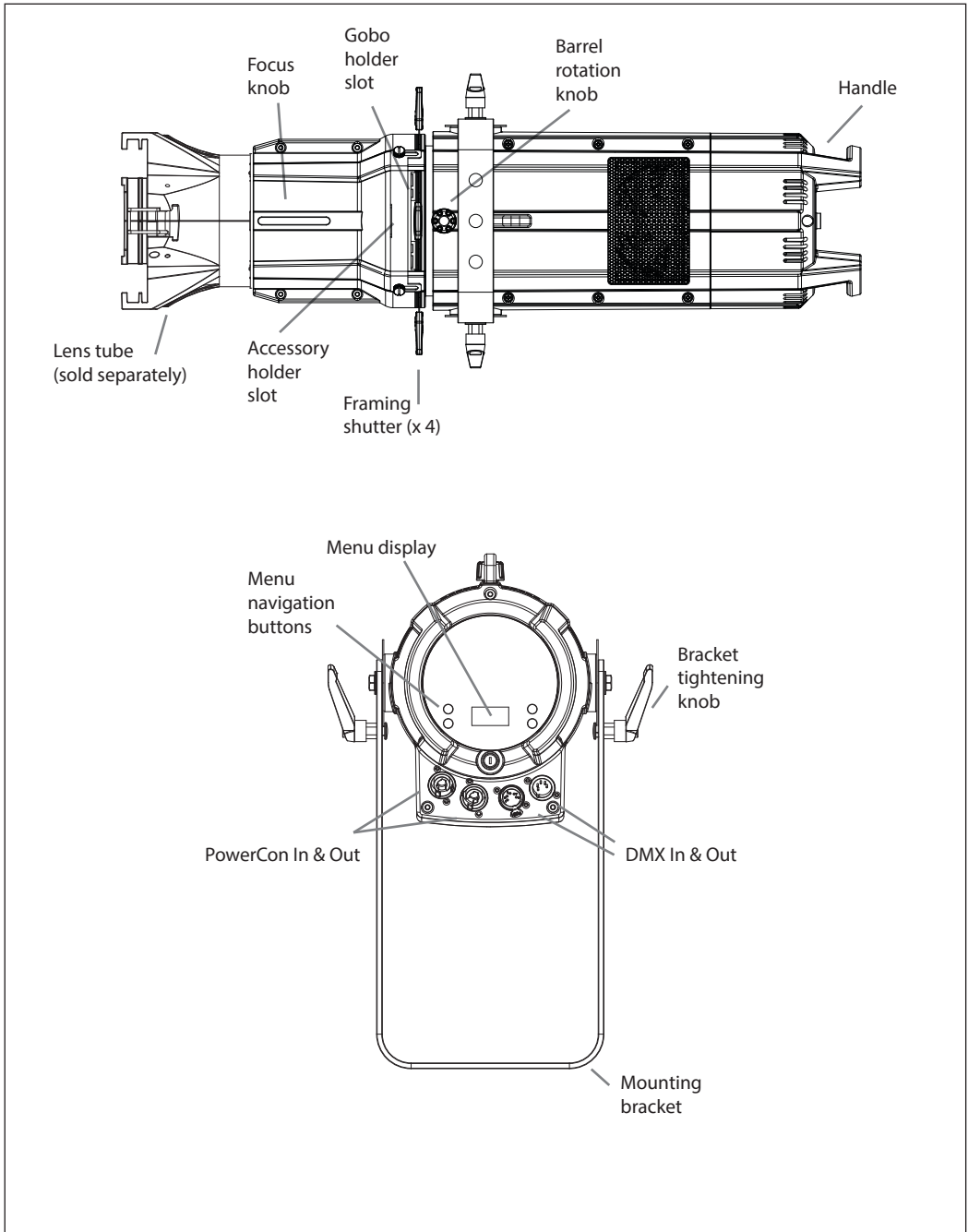


TROUBLESHOOTING

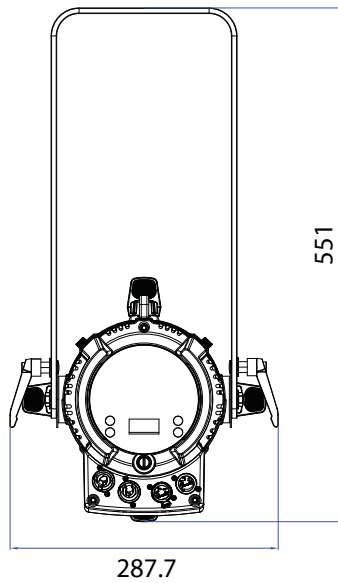
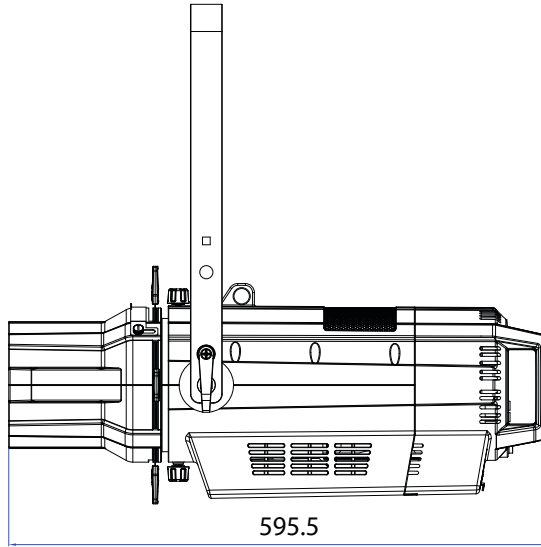
Problems	Possible causes	Checks and remedies
Fixture does not light up	<ul style="list-style-type: none"> • No mains supply • Dimmer fader set to 0 • Faulty LED • Faulty LED board 	<ul style="list-style-type: none"> • Check the power supply voltage • Increase the value of the dimmer channels • Replace the LED board • Replace the LED board
General low light intensity	<ul style="list-style-type: none"> • Dirty lens assembly • Misaligned lens assembly 	<ul style="list-style-type: none"> • Clean the fixture regularly • Install lens assembly properly
Fixture does not power up	<ul style="list-style-type: none"> • No power • Loose or damaged power cord • Faulty internal power supply 	<ul style="list-style-type: none"> • Check for power on power outlet • Check power cord • Replace internal power supply

Contact an authorized service center in case of technical problems or not reported in the table can not be resolved by the procedure given in the table.

OVERVIEW



DIMENSIONS



OPERATION

DISPLAY MENU FUNCTIONS

- DMX Address: Assign DMX starting address to the EPROFILE VW
- DMX Mode: Select either 3-, 5-, 6- or 8-, 11-, 15- or 17-channel mode
- Color Temperature: Select from 36 different white temperatures (2800K ~ 8000K)
- Hue Adjust -25% / +25 % submenu
- Manual Color Mixer: Manually set ROGBBL values to create custom colors
- Master/Slave: Set the EPROFILE VW to function either as a master or slave when linking multiple units
- Dimmer Mode: Select the preferred dimming curve (1 = fast, 2 = medium, 3 = slow)
- White Balance: Adjust ROGBBL values related to set white balance
- LED Frequency: Select the preferred frequency (for achieving flicker-free video playback)
- Fan Mode: Select either variable speed (Auto) or always on (High)
- Back Light: Set display to darken after 10, 20 or 30 seconds, or set to always on (On)
- Information: View operating hours, software version and device ID
- Factory Reset: Reset to default values

DMX FUNCTIONS

- 3-Channel Mode: Master dimming from 0 ~ 100%, Color temperature presets, Hue
- 5-Channel Mode: Adds 16-bit (fine) dimming + strobe functions
- 6-Channel Mode: Individual Red, Orange, Green, Royal Blue, Blue, Lime channel control
- 8-Channel Mode: Individual Red, Orange, Green, Royal Blue, Blue, Lime channel control
+ Master Dimmer
+ Strobe function
- 11-Channel Mode: Adds Color temperature presets + Hue + Dimming curve selection
- 15-Channel Mode: 16-bit (fine) master + individual color dimming control + strobe function
- 17-Channel Mode: Adds Color temperature presets + Hue

DMX PIN DIAGRAM

DMX - INPUT
XLR plug



Pin1 : GND - Shield
Pin2 : - Negative
Pin3 : + Positive
Pin4 : N/C
Pin5 : N/C

DMX - OUTPUT
XLR socket



MENU FUNCTIONS

NO.	Main Menu	Menu level 2	Menu level 3	Menu level4	Remark	
1	DMX Address	<001>			Default : 001	
2	DMX Channel	3Ch			Default : 11Ch	
		5Ch				
		6Ch				
		8Ch				
		11Ch				
		15Ch				
		17Ch				
3	Static	Color Temperature	2800K	Dimmer<0-100> Hue<-25~25>	Default : 2800K	
			2900K			
			3000K			
			3100K			
			3200K			
					
					
			5300K			
			5400K			
			5500K			
			5600K			
			5700K			
			6000K			
			6500K			
		7000K				
		7500K				
		8000K				
		Manual Color Mixer	Red	<0-255>		Default : all=255
			Orange	<0-255>		
			Green	<0-255>		
Royal Blue	<0-255>					
Blue	<0-255>					
Lime	<0-255>					
3	Master/Slave	Master			Default : Slave	
		Slave				
4	Dimmer Mode	Off			Default : Off	
		Dimmer 1				
		Dimmer 2				
		Dimmer 3				

MENU FUNCTIONS (cont'd)

5	White Balance	Off			Default : Off	
		Manual	Red	<125-255>		ALL=255
			Orange	<125-255>		
			Green	<125-255>		
			Royal Blue	<125-255>		
			Blue	<125-255>		
			Lime	<125-255>		
6	LED Frequency	600Hz			Default : 1200Hz	
		1200 Hz				
		2000 Hz				
		4000 Hz				
		6000 Hz				
		25KHz				
7	Fan Mode	Auto			Default : Auto	
		On				
8	Back Light	On			Default : On	
		10S				
		20S				
		30S				
9	Information	Fixture Hours	9999H			
		Version	V1.0			
		UID:	21A40138****			
10	Reset Factory	No			Default : No	
		Yes				

MENU



ENTER



UP



DOWN



DMX CHARTS

3CH	Function	Value	Percent/Setting
1	Dimmer	000-255	0~100%
2	Color Temperature	000-005	2800
		006-013	2800K - 2900K
		013-020	2900K - 3000K
		020-027	3000K - 3100K
		027-034	3100K - 3200K
		034-041	3200K - 3300K
		041-048	3300K - 3400K
		048-055	3400K - 3500K
		055-062	3500K - 3600K
		062-069	3600K - 3700K
		069-076	3700K - 3800K
		076-083	3800K - 3900K
		083-090	3900K - 4000K
		090-097	4000K - 4100K
		097-104	4100K - 4200K
		104-111	4200K - 4300K
		111-118	4300K - 4400K
		118-125	4400K - 4500K
		125-132	4500K - 4600K
		132-139	4600K - 4700K
		139-146	4700K - 4800K
		146-153	4800K - 4900K
		153-160	4900K - 5000K
		160-167	5000K - 5100K
167-174	5100K - 5200K		
174-181	5200K - 5300K		
181-188	5300K - 5400K		
188-195	5400K - 5500K		
195-202	5500K - 5600K		
202-209	5600K - 5700K		
209-216	5700K - 6000K		
216-223	6000K - 6500K		
223-230	6500K - 6000K		
230-237	7000K - 7500K		
237-244	7500K - 8000K		
244-255	8000K		
3	HUE	000-000	0
		001-255	-25~25

DMX CHARTS

5CH	Function	Value	Percent/Setting
1	Dimmer	000-255	0~100%
2	Dimmer Fine	000-255	0~100%
3	Color Temperature	Refer to 3CH CHART	
4	HUE	000-000	0
		001-255	-25~25
5	Strobe	000-010	No Function
		011-255	Strobe slow to fast

6CH	Function	Value	Percent/Setting
1	Red	000-255	0~100%
2	Orange	000-255	0~100%
3	Green	000-255	0~100%
4	Royal Blue	000-255	0~100%
5	Blue	000-255	0~100%
6	Lime	000-255	0~100%

8CH	Function	Value	Percent/Setting
1	Dimmer	000-255	0~100%
2	Red	000-255	0~100%
3	Orange	000-255	0~100%
4	Green	000-255	0~100%
5	Royal Blue	000-255	0~100%
6	Blue	000-255	0~100%
7	Lime	000-255	0~100%
8	Strobe	000-010	No Function
		011-255	Strobe slow to fast

DMX CHARTS

11CH	Function	Value	Percent/Setting
1	Dimmer	000-255	0~100%
2	Red	000-255	0~100%
3	Orange	000-255	0~100%
4	Green	000-255	0~100%
5	Royal Blue	000-255	0~100%
6	Blue	000-255	0~100%
7	Lime	000-255	0~100%
8	Strobe	000-010	No Function
		011-255	Strobe slow to fast
9	Color Temperature	Refer to 3CH CHART	
10	HUE	000-000	0
		001-255	-25~25
11	Dimmer Speed Mode	000-051	No function
		052-101	Dimmer speed mode off (Hold 3S override menu and change)
		102-152	Dimmer speed mode1 (Hold 3S override menu and change)
		153-203	Dimmer speed mode2 (Hold 3S override menu and change)
		204-255	Dimmer speed mode3 (Hold 3S override menu and change)

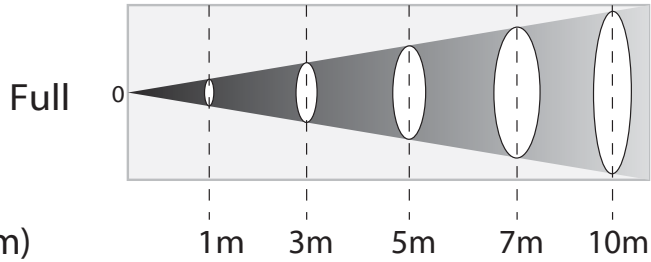
15CH	Function	Value	Percent/Setting
1	Dimmer	000-255	0~100%
2	Dimmer Fine	000-255	0~100%
3	Red	000-255	0~100%
4	Red Fine	000-255	0~100%
5	Orange	000-255	0~100%
6	Orange Fine	000-255	0~100%
7	Green	000-255	0~100%
8	Green Fine	000-255	0~100%
9	Royal Blue	000-255	0~100%
10	Royal Blue Fine	000-255	0~100%
11	Blue	000-255	0~100%
12	Blue Fine	000-255	0~100%
13	Lime	000-255	0~100%
14	Lime Fine	000-255	0~100%
15	Strobe	000-010	No Function
		011-255	Strobe slow to fast

DMX CHARTS

17CH	Function	Value	Percent/Setting
1	Dimmer	000-255	0~100%
2	Dimmer Fine	000-255	0~100%
3	Red	000-255	0~100%
4	Red Fine	000-255	0~100%
5	Orange	000-255	0~100%
6	Orange Fine	000-255	0~100%
7	Green	000-255	0~100%
8	Green Fine	000-255	0~100%
9	Royal Blue	000-255	0~100%
10	Royal Blue Fine	000-255	0~100%
11	Blue	000-255	0~100%
12	Blue Fine	000-255	0~100%
13	Lime	000-255	0~100%
14	Lime Fine	000-255	0~100%
15	Strobe	000-010	No Function
		011-255	Strobe slow to fast
16	Color Temperature	Refer to 3CH CHART	
17	HUE	000-000	0
		001-255	-25~25

PHOTOMETRICS

Beam Angle: 26°



Luminance (lux) 42390 4710 1695 865 423

colors \ meters	1	3	5	7	10
R	1998	222	79	40	20
O	8514	946	340	173	85
G	4806	534	192	98	48
B	990	110	39	20	9.9
B	1791	199	71	36	17
L	30960	3440	1238	631	309
ALL	42390	4710	1695	865	423

EK